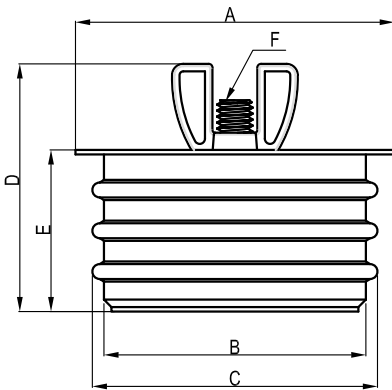


Features

- Rubber gaskets
- Large wing nuts for easy operation
- Engineered and designed for maximum gripping power in types of pipe

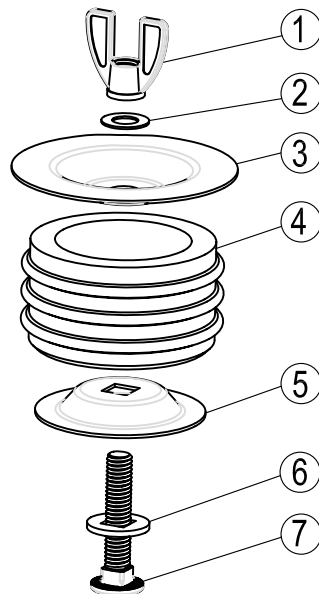


Dimensional View



Part NO.	Nominal Size	A	B	C	D	E	F
154-007	1-1/2"	2-1/16"	1-5/16"	1-1/2"	2-9/16"	1-5/16"	3/8"-16UNC-2A
154-008	2"	2-1/4"	1-11/16"	2"	2-9/16"	1-5/16"	3/8"-16UNC-2A
154-010	3"	3-3/8"	2-3/4"	3"	2-9/16"	1-5/8"	3/8"-16UNC-2A
154-011	4"	4-3/16"	3-11/16"	4"	2-9/16"	1-5/8"	3/8"-16UNC-2A
154-012	5"	5-3/16"	4-11/16"	5"	2-9/16"	1-3/4"	3/8"-16UNC-2A
154-013	6"	6-3/4"	5-3/8"	6"	2-3/4"	2"	1/2"-13UNC-2A

Exploded View



NO.	Part Name	Material
1	Wing Nut	Aluminium
2	Washer	Steel
3	Upper Plate	Steel
4	Gasket	Rubber
5	Bottom Plate	Steel
6	Washer	Rubber
7	Bolt	Steel